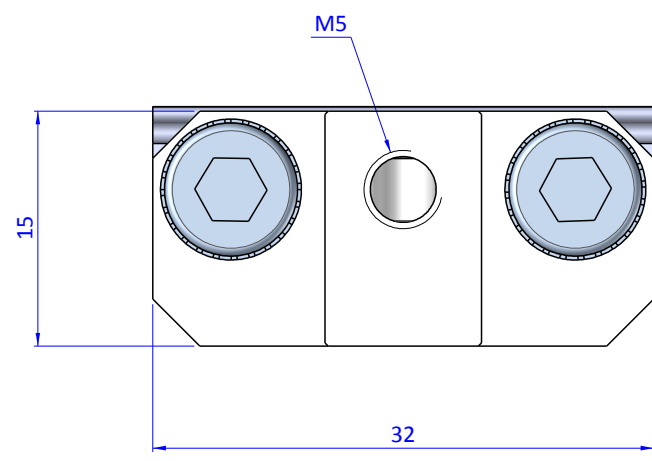
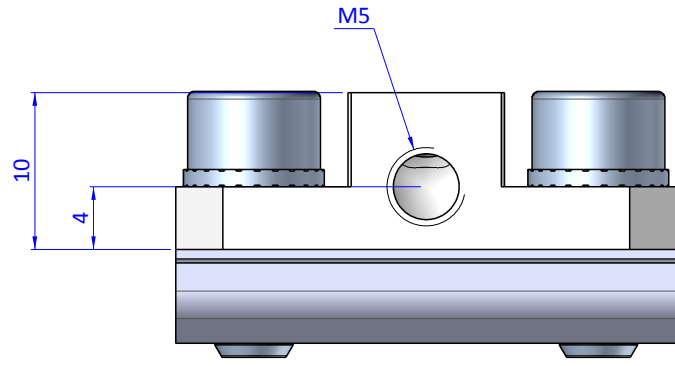
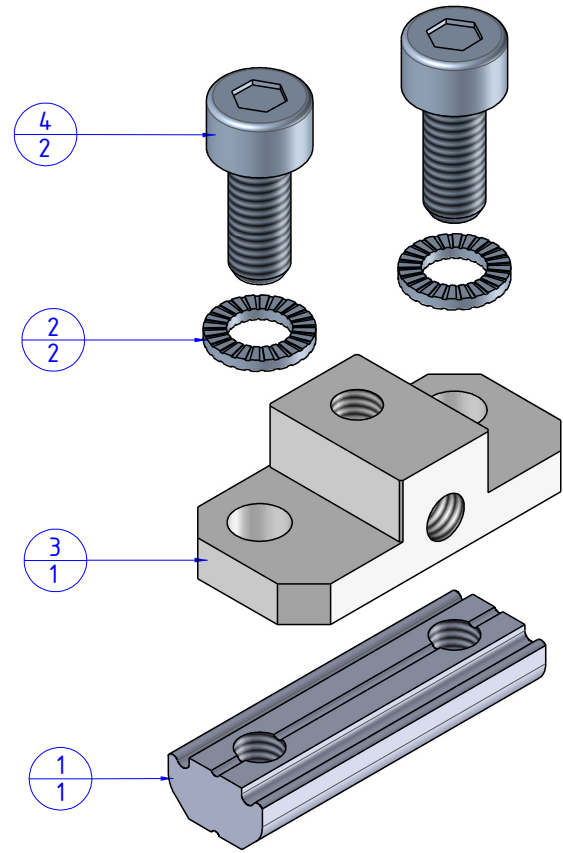


THE PROPERTY OF THE DRAWING IS ESTABLISHED BY LAW. IT IS FORBIDDEN TO PRODUCE OR SHOW IT TO THIRD PARTY, WITHOUT A WRITTEN AGREEMENT.

Item	Name	Q.ty
1	CA.GWP.5.22	1
2	R.5.SCH	2
3	SGB.5.5	1
4	V.TCE5x12	2



Format A3
UNI 936-76

		DESIGNED FROM		REVIEW
		FPSERVICES		A
GENERAL TOLERANCE		DATE	WEIGHT	
UNI - ISO 2768		28/02/2019	0,027kg	
CLASSE f		CODE		
		CA.SGB.5.5.X		CA.SGB.5.5.X